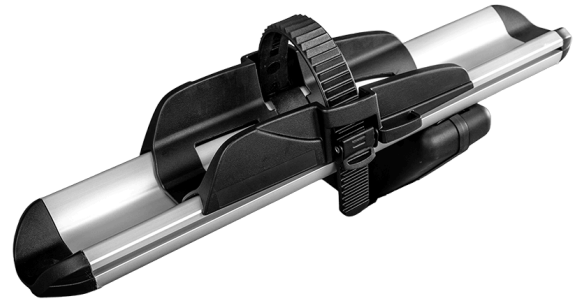




SAREK EXTRA BIKE

Art. no: 205567

Third bike extension for the Sarek Bike Carrier. The Sarek Extra Bike lets you bring one more bike without adding complexity. Easy to mount and built to handle bikes with up to 1250 mm wheelbase and 15 kg in weight.



SPECIFICATIONS

Article number	205567
Bike capacity	1
EAN	7316172055674
Locks	Yes
Net weight (kg)	2.5
Tools required	No
Warranty, years	3



Scan to be redirected
to the product page

**Mont
Blanc**[®]